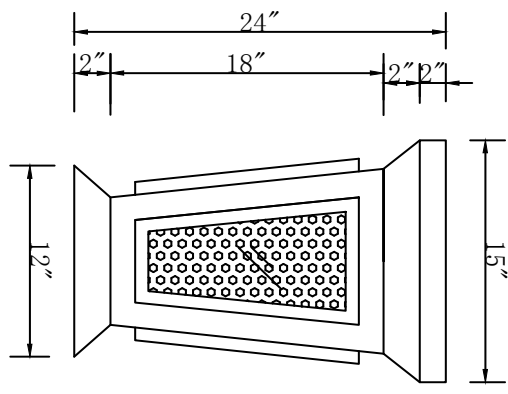
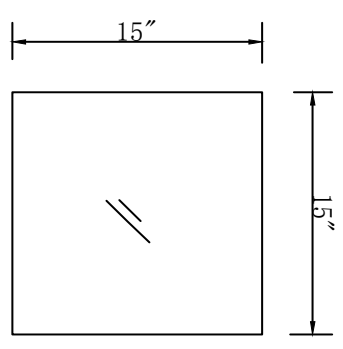


Front view



Side view



Top view

DWG. NO. :

MODEL NO. :
MF91020

ALTERATIONS	
1	
2	
3	
4	

FOR PROPOSAL ONLY ALL DIMENSIONS TO BE VERIFIED

SCALE:

DWG. BY:

CHECKED BY:

DATE: Jun20th, 2017

PROJECT:

Qty:

Color:

DRAWING TITLE:

FINISH:



Model #	MIF91020	Doors Included	NO	table top maximum weight(lbs)	66LBS	safety stop	N/A	Drawer Interior Depth (IN)	N/A
Finish	Clear	Number of Doors	0	Table: seating capacity	N/A	felt lined drawers	N/A	cabinet interior width (IN)	N/A
Hand Painted	Yes	Finished Back	NO	upholstery color	N/A	drawer glide extension	N/A	cabinet interior depth (IN)	N/A
Mirror Type	Clear Mirror	Hardware finish	N/A	upholstery pattern	N/A	drawer glide material	N/A	cabinet interior height (IN)	N/A
Beveled glass	Yes	Assembly	NO	cushion material	N/A	drawer dividers	N/A	leg height (IN)	N/A
Frame material	MDF	Product Width (IN)	15"	base finish	Silver	Drawer Interior Finish	N/A	leg width (IN)	N/A
Solid wood construction	MDF	Product Depth (IN)	15"	powder coated finish	No	Ball Bearing Glides	N/A	leg depth (IN)	N/A
Drawers Included	NO	Product Height (IN)	24"	base material	MDF	soft close drawer glides	N/A	gloss finish	NO
Number of Drawers	N/A	Package LENGTH (IN)	19.9"	top material	Mirror	Number of cabinets	0	stackable	NO
Joinery Type	N/A	Package WIDTH (IN)	19.9"	wood species	MDF	shelf height (IN)	N/A	leg design	N/A
Drawer trailing	N/A	Package HEIGHT (IN)	28.1"	tip over restraint strap	N/A	shelf width (IN)	N/A	Armoires: ring slots	N/A
Drawer Width (IN)	N/A	Package Weight(lbs)	77.6LBS	shape of top	Square	shelf depth (IN)	N/A	Armoires: hooks	N/A
Drawer Depth (IN)	N/A	Product Weight(lbs)	66.6LBS	lift top	NO	shelf thickness	N/A	armoires: mirror dimensions	N/A
Drawer Height (IN)	N/A	Shipping Type	Small Parcel	shelf material	N/A	Any certification?	CARB	door thickness	N/A
Drawer Model	N/A	table top width (IN)	15"	adjustable shelves	N/A	California Proposition 65 warning required?	YES	false drawers?	N/A
Shelves	NO	table top finish	Clear mirror	Drawer Handle designs	N/A	Drawer's Interior Height (IN)	N/A	sink type	N/A
Number of Shelves	0	glass top tempered	NO	Door Knob Model	N/A	Drawer Interior Width (IN)	N/A	# of faucet holes	N/A

DWG. NO.	
MODEL NO.:MIF91020	
SPEC. NO.:	
QUANTITY:	
DATE:JUN20TH,2017	
CHECKED BY:	
FOR PROPOSAL ONLY ALL DIMENSIONS TO BE VERIFIED	
PROJECT:	
COULR:	
FINISH:	
REVISIONS	
500-550E, Erie Avenue Philadelphia PA 19134 1-888-388-3390	